



CATEGORY

STRUT & GROUND

AMMO ITEM #

ARSFP01

Company: \_\_\_\_\_  
 Job: \_\_\_\_\_ #Item: \_\_\_\_\_  
 Notes: \_\_\_\_\_

# 4 Hole Splice Plate

### APPLICATIONS

Strut fittings

### FEATURES

Standard product information for 1-5/8" (41.3) width series channel fittings

### MATERIAL

CRS

### FINISH

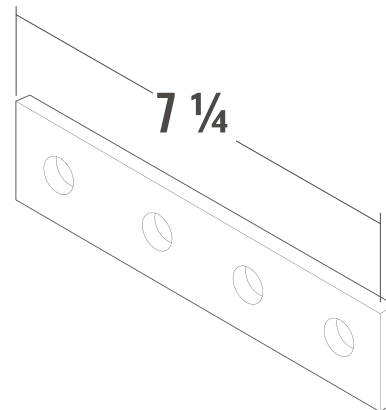
Zinc plated

### DIMENSIONS

- Length: \_\_\_\_\_ 1.62 in
- Width: \_\_\_\_\_ 7.24 in

### PACKAGING

- Weight: \_\_\_\_\_ 300 g
- PKG: \_\_\_\_\_ 5
- UPC Number: \_\_\_\_\_ 837654093207



## STRUT & GROUND



400 MARTIN LUTHER KING JR WAY, BRIDGETON, NJ 08302  
 PHONE : (718).338.1851 FAX : (718).228.1851  
 orders@ammoelectric.com

www.ammoelectric.com