



CATEGORY

STRUT & GROUND

AMMO ITEM #

ARSFP03

Company: \_\_\_\_\_  
Job: \_\_\_\_\_ #Item: \_\_\_\_\_  
Notes: \_\_\_\_\_

# 4 Hole Tee Plate - Flat

### APPLICATIONS

Strut fittings

### FEATURES

Standard product information for 1-5/8" (41.3) width series channel fittings

### MATERIAL

CRS

### FINISH

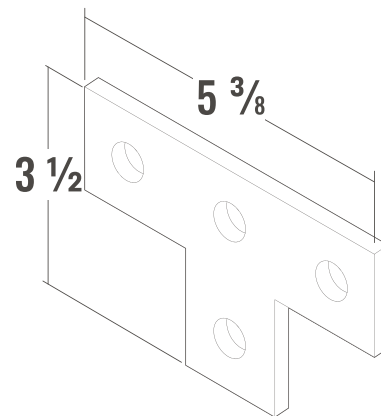
Zinc plated

### DIMENSIONS

- Length: \_\_\_\_\_ 3.5 in
- Width: \_\_\_\_\_ 5.37 in

### PACKAGING

- Weight: \_\_\_\_\_ 280 g
- PKG: \_\_\_\_\_ 20
- UPC Number: \_\_\_\_\_ 837654093221



## STRUT & GROUND



400 MARTIN LUTHER KING JR WAY, BRIDGETON, NJ 08302  
PHONE : (718).338.1851 FAX : (718).228.1851  
orders@ammoelectric.com

www.ammoelectric.com