



CATEGORY

STRUT & GROUND

AMMO ITEM #

ARSFP06

Company: _____
Job: _____ #Item: _____
Notes: _____

4 Hole Open 45° Corner Angle

APPLICATIONS

Strut fittings

FEATURES

Standard product information for 1-5/8" (41.3) width series channel fittings

MATERIAL

CRS

FINISH

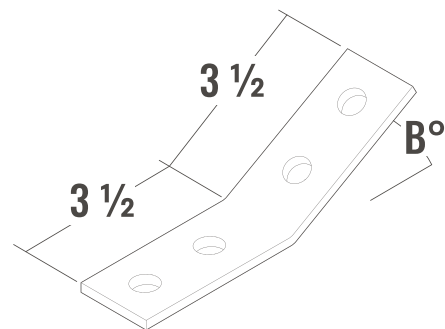
Zinc plated

DIMENSIONS

- Length: _____ 3.5 in
- Width: _____ 3.5 in

PACKAGING

- Weight: _____ 290 g
- PKG: _____ 25
- UPC Number: _____ 837654093252



STRUT & GROUND



400 MARTIN LUTHER KING JR WAY, BRIDGETON, NJ 08302
PHONE : (718).338.1851 FAX : (718).228.1851
orders@ammoelectric.com

www.ammoelectric.com