



CATEGORY

STRUT & GROUND

AMMO ITEM #

ARSFP08

Company: _____
 Job: _____ #Item: _____
 Notes: _____

Post Base Sngl Chan 3-1/2"

APPLICATIONS

Strut fittings

FEATURES

Standard product information for 1-5/8" (41.3) width series channel fittings

MATERIAL

CRS

FINISH

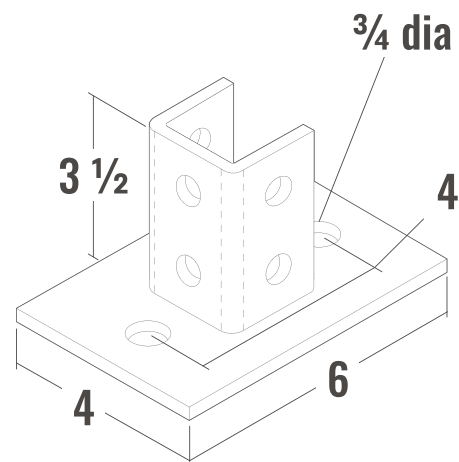
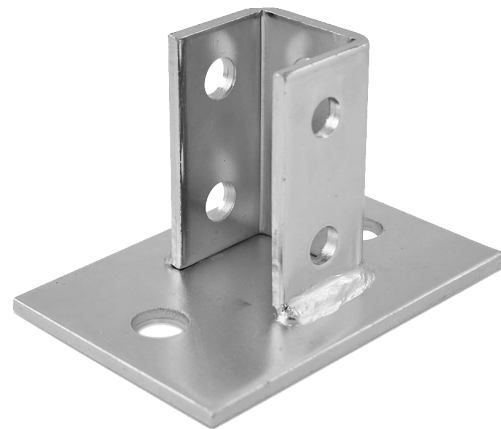
Zinc plated

DIMENSIONS

- Length: _____ 4 in
- Width: _____ 6 in
- Height: _____ 3.5 in
- Holes: _____ 2

PACKAGING

- Weight: _____ 1100 g
- PKG: _____ 5
- UPC Number: _____ 837654093276



STRUT & GROUND



400 MARTIN LUTHER KING JR WAY, BRIDGETON, NJ 08302
 PHONE : (718).338.1851 FAX : (718).228.1851
 orders@ammoelectric.com

www.ammoelectric.com