



CATEGORY
**STRUT &
 GROUND**
 AMMO ITEM #

ARSNCN

Company: _____
 Job: _____ #Item: _____
 Notes: _____

Channel Cone Nut

APPLICATIONS

With the ideal combination of ease of use, exact positioning and compatibility, Cone Channel Nuts are time saving solutions to your metal framing needs.

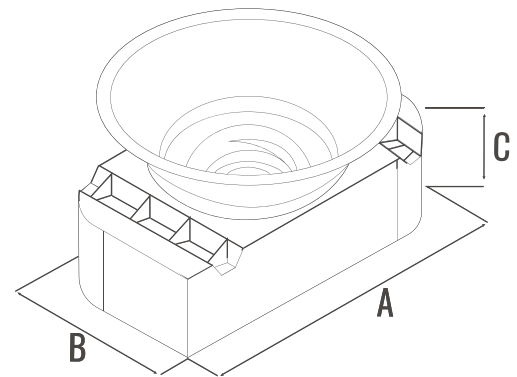
PRODUCT FEATURES

Connecting modular framing channels and attaching accessories using standard spring and channel nuts can be frustrating. Spring lengths must be matched to strut depth, springs can slip through and get trapped in slots and parts bind together during transit and storage, channel nuts are effective, but they require constant attention during installation, decreasing efficiency. Cone Channel Nuts from erase compatibility issues, sliding easily into their optimal location in each channel. These easy-to-identify, distinctively colored cone nuts are available in every common thread size and are equally effective on any strut depth. Unlike channel and spring nuts, Cone Channel Nuts will not twist or bind together prior to installation.



PACKAGING

- Minimum Pack Qty.: _____ 50
- Std. Pkg.: _____ 200
- Weight (Lbs. Per/C): _____ 5.5/8.0/7.1
- Ship Carton Length (in.): _____ 8.8
- Ship Carton Width (in.): _____ 8.1
- Ship Carton Height (in.): _____ 6.0
- Ctn Weight (Lbs.): _____ 11/16/14.2
- Pallet Qty.: _____ 25000



AMMO#	SIZE	THREAD SIZE	PULL-OUT STRENGTH	A (mm)	B (mm)	C (mm)	PKG	UPC
ARSNCN1420	1/4"	1/4"-20	450 LBS	1.358"+/-0.02"	0.748"+/-0.02"	0.23"-0.25"	100	837654092897
ARSNCN3816	3/8"	3/8"-16	1100 LBS	1.358"+/-0.02"	0.748"+/-0.02"	0.355"-0.375"	100	837654092903
ARSNCN1213	1/2"	1/2"-13	1275 LBS	1.358"+/-0.02"	0.748"+/-0.02"	0.355"-0.375"	100	837654092910

STRUT & GROUND



400 MARTIN LUTHER KING JR WAY, BRIDGETON, NJ 08302
 PHONE : (718).338.1851 FAX : (718).228.1851
 orders@ammoelectric.com

www.ammoelectric.com