



CATEGORY
**ELECTRICAL
 FITTINGS**
 AMMO ITEM #
ARSSLT-I

Company: _____
 Job: _____ #Item: _____
 Notes: _____

Straight Liquidtight Connector with Insulated



APPLICATIONS

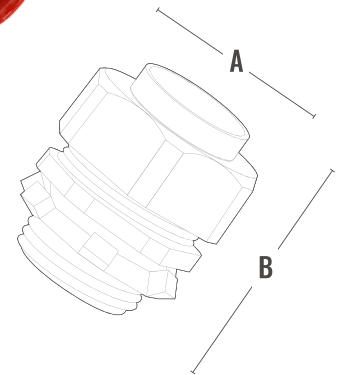
- Used to connect metallic liquidtight conduit (type B) to box or enclosure
- Reliable and durable connection which will stand up to corrosive and wet locations

FEATURES

- Hex gland nut for easy wrenching to save installation time
- Thermoplastic sealing rings seals out cutting oil, coolants, water and dust
- Locknut bites into box to protect from vibrate loose
- Cupped long ferrule with maximum contact surface provides metal to metal contact with conduits for safe grounding
- 105° temperature rating for insulator
- Suitable for class I division 2, class II division 1 & 2, class III Division 1 & 2 per NEC clause 501.10 (B) (2)

MATERIALS

- Body: zinc plated steel
- Gland & gasket: PE
- Compression & lock nut: zinc plated steel
- Ferrule: zinc plated steel
- Insulated Throat: nylon



AMMO#	SIZE	A (in)	B (in)	WEIGHT (g)	INNER	MASTER	UPC
ARSSLT-38I	3/8"	1.10	1.63	59	20	200	837654109496
ARSSLT-50I	1/2"	1.19	1.69	56	20	200	837654109502
ARSSLT-75I	3/4"	1.43	1.73	77	10	100	837654109519
ARSSLT-100I	1"	1.75	1.94	135	5	50	837654109526
ARSSLT-125I	1-1/4"	2.16	1.99	192	5	50	837654109533
ARSSLT-150I	1-1/2"	2.39	2.41	247	2	20	837654109540
ARSSLT-200I	2"	2.88	2.46	349	2	20	837654109557

ELECTRICAL FITTINGS



400 MARTIN LUTHER KING JR WAY, BRIDGETON, NJ 08302
 PHONE : (718).338.1851 FAX : (718).228.1851
 orders@ammoelectric.com

www.ammoelectric.com