



CATEGORY  
**STRUT &  
GROUND**

AMMO ITEM #

**ARSTSL-20FT-PG**

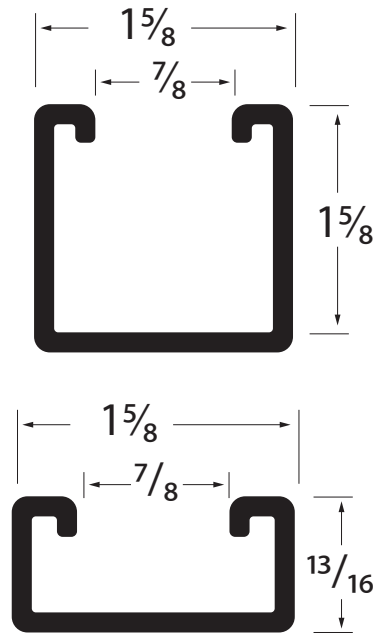
Company: \_\_\_\_\_  
 Job: \_\_\_\_\_ #Item: \_\_\_\_\_  
 Notes: \_\_\_\_\_

# Strut Channels

## Oval Slotted

### FEATURES

- Mill galvanized for a finish with increased corrosion resistance that doesn't flake off
- No specialized tools needed
- Can be installed fast, with no need for specialized, or nonstandard tools
- Can be completely disassembled and reused, providing of welded framing, without the need to weld or drill
- Wide variety of applications, including: supporting conduit, cable tray and light fixtures; piping racks; beam attachments; shelving, wall framing, and more
- Material: SPHC Steel



AMMO#	SIZE (mm)	WIDTH	HEIGHT	GAUGE	WEIGHT (G)	PKG	UPC
ARSTSL-1-5/8-12-20FT-PG	41 X 21 X 2.5	1-5/8"	1-5/8"	12	17800	50	837654115138
ARSTSL-1-5/8-14-20FT-PG	41 X 41 X 2.5	1-5/8"	1-5/8"	14	11800	50	837654115145
ARSTSL-13/16-12-20FT-PG	41 X 21 X 2	1-5/8"	13/16"	12	10400	50	837654115152
ARSTSL-13/16-14-20FT-PG	41 X 41 X 2	1-5/8"	13/16"	14	8200	50	837654115169

## STRUT & GROUND



400 MARTIN LUTHER KING JR WAY, BRIDGETON, NJ 08302  
 PHONE : (718).338.1851 FAX : (718).228.1851  
 orders@ammoelectric.com

www.ammoelectric.com