



CATEGORY  
**STRUT &  
 GROUND**  
 AMMO ITEM #

**ARSTSO-BTB**

Company: \_\_\_\_\_  
 Job: \_\_\_\_\_ #Item: \_\_\_\_\_  
 Notes: \_\_\_\_\_

# Strut Channel

## Solid, Back to Back, Hot-Dip Galvanized

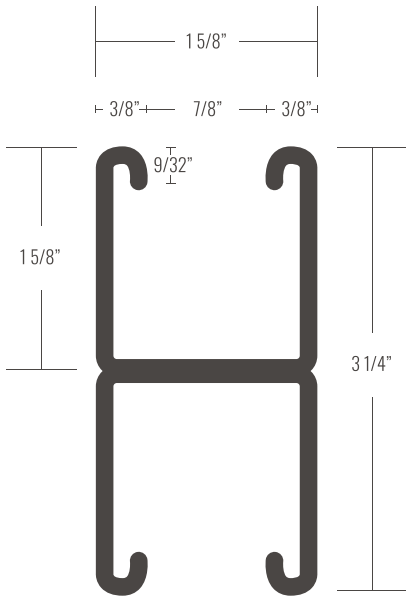
| AMMO#                        | WIDTH  | HEIGHT | WEIGHT | LOAD RATING | GAUGE | PKG | UPC          |
|------------------------------|--------|--------|--------|-------------|-------|-----|--------------|
|                              | in     | in     | lbs/ft | kg          |       |     |              |
| ARSTSO-1-5/8-12-10FT-HDG-BTB | 1-5/8" | 1-5/8" | 2.858  | 440         | 12    | 25  | 837654115091 |
| ARSTSO-13/16-12-10FT-HDG-BTB | 1-5/8" | 13/16" | 2.525  | 139         | 12    | 25  | 837654115107 |

**10FT**

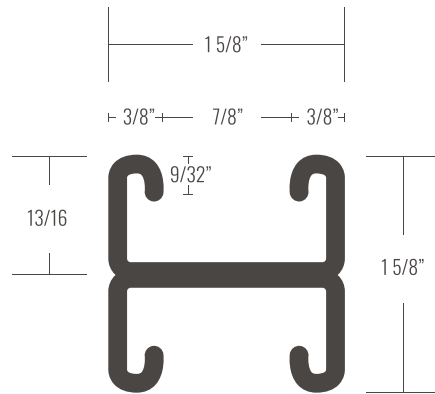
| AMMO#                        | WIDTH  | HEIGHT | WEIGHT | LOAD RATING | GAUGE | PKG | UPC          |
|------------------------------|--------|--------|--------|-------------|-------|-----|--------------|
|                              | in     | in     | lbs/ft | kg          |       |     |              |
| ARSTSO-1-5/8-12-20FT-HDG-BTB | 1-5/8" | 1-5/8" | 2.858  | 220         | 12    | 25  | 837654115237 |
| ARSTSO-13/16-12-20FT-HDG-BTB | 1-5/8" | 13/16" | 2.525  | 70          | 12    | 25  | 837654115244 |

**20FT**

### 1-5/8" x 1-5/8"



### 1-5/8" x 13/16"



**STRUT & GROUND**



400 MARTIN LUTHER KING JR WAY, BRIDGETON, NJ 08302  
 PHONE : (718).338.1851 FAX : (718).228.1851  
 orders@ammoelectric.com

[www.ammoelectric.com](http://www.ammoelectric.com)