



CATEGORY

LINE
SUPPLIES

AMMO ITEM #

ARSWASHER214

Company: _____
 Job: _____ #Item: _____
 Notes: _____

Square Washers

APPLICATION

Use to secure all threaded rod to strut system

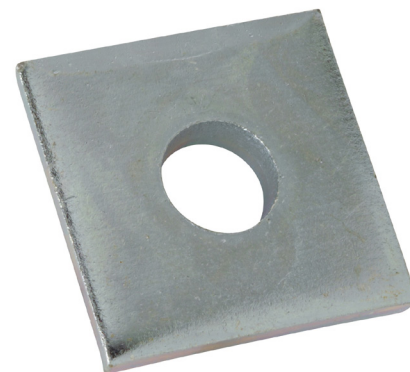
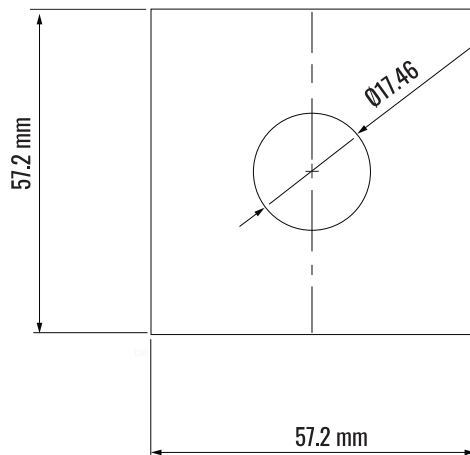
FEATURES

- To minimize damage from abrasion or scratching on the contact material due to nut rotation
- To increase the effective bearing surface of the bolt or nut, in other words, distribute the load of a threaded fastener over a larger area and prevent deformation of the bearing surfaces

MATERIAL

- Steel
- Surface: hot-dip galvanizing

AMMO#	SIZE	THICK	WEIGHT (g)	PKG	UPC
ARSWASHER214	1/4" X 2-1/4"	3/16"	114	150	837654092880



LINE SUPPLIES



400 MARTIN LUTHER KING JR WAY, BRIDGETON, NJ 08302
 PHONE : (718).338.1851 FAX : (718).228.1851
 orders@ammoelectric.com

www.ammoelectric.com