



CATEGORY  
**ELECTRICAL  
FITTINGS**

AMMO ITEM #

ARTA  
911-916

Company: \_\_\_\_\_  
Job: \_\_\_\_\_ #Item: \_\_\_\_\_  
Notes: \_\_\_\_\_

# Connectors Take all



## APPLICATION

Used to connect NM / SE or SER cable, flexible metal conduit and AC / MC / MCI-A cable to box or enclosure

## FEATURES

- Indoor dry location use only
- UL listed for MC, AC, NM, and SE round cables
- Reversible steel strap for multiple applications
- Tri-combination screw heads
- Zinc body with steel cover

## MATERIALS

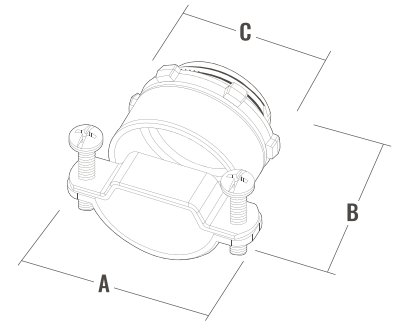
- Body: zinc die cast
- Strap: zinc plated steel
- Screw: zinc plated steel

## FINISH

Polishing

## CERTIFICATIONS

- UL-514B
- CSA Standard C22.2 No. 18.3-12



AMMO#	SIZE	CABLE DIAMETER (in)	A (in)	B (in)	C (in)	WEIGHT (g)	INNER	MASTER	UPC
ARTA911	1/2"	.68 - .85	1.60	1.31	1.04	29.0	25	250	837654067475
ARTA912	3/4"	.94 - 1.08	1.85	1.56	1.27	42.0	20	200	837654067482
ARTA913	1"	1.15 - 1.25	2.13	1.67	1.52	51.0	10	100	837654067499
ARTA914	1-1/4"	1.34 - 1.45	2.43	1.87	1.85	80.2	10	100	837654067505
ARTA915	1-1/2"	1.70 - 1.845	2.80	1.96	2.11	89.0	5	50	837654067512
ARTA916	2"	2.07 - 2.18	3.29	2.04	2.57	130.7	-	50	837654067529

## ELECTRICAL FITTINGS



400 MARTIN LUTHER KING JR WAY, BRIDGETON, NJ 08302  
PHONE : (718).338.1851 FAX : (718).228.1851  
orders@ammoelectric.com

www.ammoelectric.com