



CATEGORY

PVC

AMMO ITEM #

ARTA40PVC

Company: _____

Job: _____ #Item: _____

Notes: _____



Terminal Adapters

APPLICATION

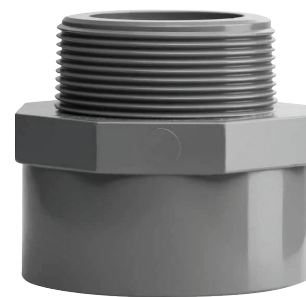
- A connector used to transition from plain end PVC conduit to a threaded metal or PVC female bell.
- Can also be used to connect PVC conduit to a box or other threaded body with the use of a locknut (sold separately)

FEATURES

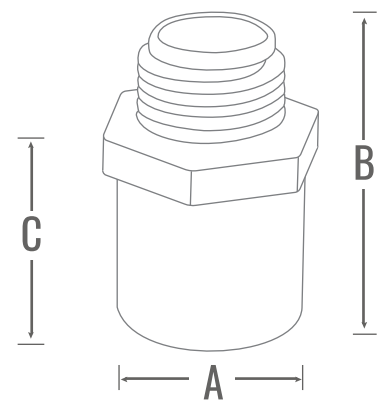
- The fitting consists of one solvent weld female end and one threaded male end.
- Both ends will fit the same diameter conduit.

MATERIAL

PVC



AMMO#	SIZE	A (In)	B (In)	C (In)	WEIGHT (G)	PKG	UPC
ARTA40PVC-50	1/2"	1.0625	1.6875	1.125	11	200	837654110799
ARTA40PVC-75	3/4"	1.25	1.75	1.1875	15	125	837654110805
ARTA40PVC-100	1"	2.1875	1.625	1.50	26	70	837654110812
ARTA40PVC-125	1-1/4"	2	2.125	1.3125	43	40	837654110829
ARTA40PVC-150	1-1/2"	2	2.0625	1.3125	47	30	837654110836
ARTA40PVC-200	2"	2.6875	2.1875	1.375	70	40	837654110843
ARTA40PVC-250	2-1/2"	3.3125	2.875	2	134	20	837654110850
ARTA40PVC-300	3"	3.9375	3.00	2.1875	180	40	837654110867



PVC



400 MARTIN LUTHER KING JR WAY, BRIDGETON, NJ 08302
 PHONE : (718).338.1851 FAX : (718).228.1851
 orders@ammoelectric.com

www.ammoelectric.com