



CATEGORY

PVC

AMMO ITEM #

ARTPVC

Company: _____

Job: _____ #Item: _____

Notes: _____

Conduit Body PVC Type T



AMMO#	SIZE	A (in)	B (in)	C (in)	D (in)	WEIGHT (g)	PKG	UPC
ARTPVC-50	1/2"	4	1.50	1.938	4.625	80.8	25	837654110539
ARTPVC-75	3/4"	4.625	1.6875	1.50	5.375	187.5	15	837654110546
ARTPVC-100	1"	5.375	2	1.75	6.5625	165.5	10	837654110492
ARTPVC-125	1-1/4"	7.1875	2.50	2.50	8.1875	424.5	10	837654110508
ARTPVC-150	1-1/2"	8	2.8125	2.625	9.25	385	10	837654110515
ARTPVC-200	2"	9.50	3.375	3.3125	10.375	654	5	837654110522

APPLICATIONS

- Provides access to conductors for pulling, splicing and maintenance
- A conduit body is a separate section of conduit tubing that provides easy access into the interior of an electrical raceway. It allows more space for electrical conductors to bend
- Electricians use conduit bodies to connect different sections of a conduit. A conduit body contains a removable cover for easy access to the wires

FEATURES

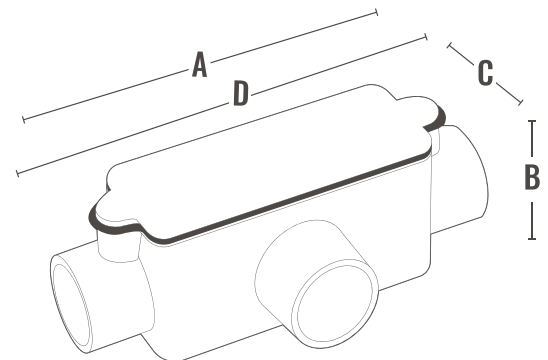
- Special Features Non-Conductive, Non-Corrosive, Non-Rusting
- Conduit bodies also add extra protection from weather and corrosion to your conductors
- Conduit bodies come in a variety of sizes, materials and moisture resistance

MATERIAL

PVC

CERTIFICATIONS

- UL 514C:2014
- Ed.4+R:18Aug2020



PVC



1000 COMMERCE CENTER DR ELKTON MD 21921
 PHONE : (718).338.1851 FAX : (718).228.1851
 orders@ammoelectric.com

www.ammoelectric.com