



CATEGORY
**LIGHTING &
 ACCESSORIES**

AMMO ITEM #

ARVPF001

Company: _____
 Job: _____ #Item: _____
 Notes: _____

Vapor Tight Surface Mount Fixture



PRODUCT FEATURES

- Metallic finish
- Ceiling mount
- All stainless steel hardware
- High temperature silicone internal gaskets
- Clear glass with threaded neck
- Threaded die-cast aluminum guard with a set screw for locking guard in place.
- Suitable for wet locations and used in commercial and residential.
- Lamp not included

PRODUCT SPECIFICATIONS

- Hub Size: 1/2" or 3/4" Tapped
- Hardware: All brass hardware
- Box: Precision die cast aluminum with four 1/2" OR 3/4" NPT plugs installed and one open 1/2" OR 3/4" threaded conduit opening on the top
- One brass ground screw installed
- Gasket: Silicone gasket between the wiring box and the fitter
- Globes: Supplied with clear thermal shock resistant soda lime glass and the glass threaded
- Die Cast Guard: Threaded die cast aluminum with a set screw for locking the guard in place
- Finish: Natural aluminium

ELECTRICAL

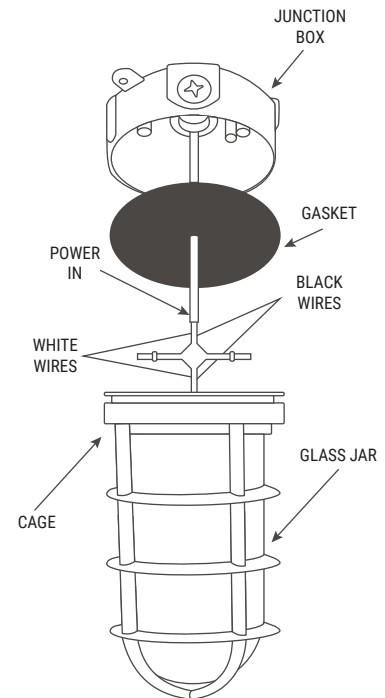
Maximum Watts: _____ 150 watts

LAMP INFO

- Type: _____ E26
- Volts: _____ 120V
- Watts: _____ Max 150W
- Shape/Size: _____ Ceiling mount
- Base: _____ A19
- Hours: _____ 50000
- Weight: _____ 3.0 lbs

PACKAGING

- PKG: _____ 6
- UPC Number: _____ 837654072981



LIGHTING & ACCESSORIES



400 MARTIN LUTHER KING JR WAY, BRIDGETON, NJ 08302
 PHONE : (718).338.1851 FAX : (718).228.1851
 orders@ammoelectric.com

www.ammoelectric.com