



CATEGORY  
**LIGHTING & ACCESSORIES**  
 AMMO ITEM #  
**ARVPF002**

Company: \_\_\_\_\_  
 Job: \_\_\_\_\_ #Item: \_\_\_\_\_  
 Notes: \_\_\_\_\_

# Vapor Tight Wall Mount Fixture



## PRODUCT FEATURES

- Metallic finish
- Wall mount
- All stainless steel hardware
- High temperature silicone internal gaskets
- Clear glass with threaded neck
- Threaded die-cast aluminum guard with a set screw for locking guard in place
- Suitable for wet locations and used in commercial and residential
- Lamp not included

## PRODUCT SPECIFICATIONS

- Hub Size: 1/2" or 3/4" Tapped
- Hardware: All brass hardware
- Box: Precision die cast aluminum with four 1/2" OR 3/4" NPT plugs installed and one open 1/2" OR 3/4" threaded conduit opening on the top
- One brass ground screw installed
- Gasket: Silicone gasket between the wiring box and the fitter
- Globes: Supplied with clear thermal shock resistant soda lime glass and the glass threaded
- Die Cast Guard: Threaded die cast aluminum with a set screw for locking the guard in place
- Finish: Natural aluminium

## ELECTRICAL

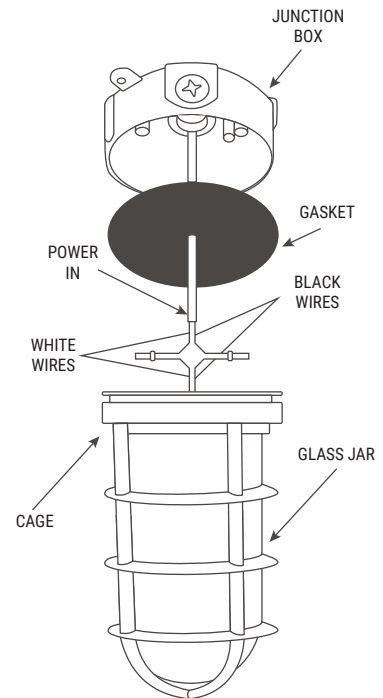
Maximum Watts: \_\_\_\_\_ 150 watts

## LAMP INFO

- Type: \_\_\_\_\_ E26
- Volts: \_\_\_\_\_ 120V
- Watts: \_\_\_\_\_ Max 150W
- Shape/Size: \_\_\_\_\_ Wall mount
- Base: \_\_\_\_\_ A19
- Hours: \_\_\_\_\_ 50000
- Weight: \_\_\_\_\_ 3.0 lbs

## PACKAGING

- PKG: \_\_\_\_\_ 6
- UPC Number: \_\_\_\_\_ 837654072998



## LIGHTING & ACCESSORIES



400 MARTIN LUTHER KING JR WAY, BRIDGETON, NJ 08302  
 PHONE : (718).338.1851 FAX : (718).228.1851  
 orders@ammoelectric.com

www.ammoelectric.com