



CATEGORY

WEATHERPROOF

AMMO ITEM #

ARXC-1

Company: \_\_\_\_\_  
 Job: \_\_\_\_\_ #Item: \_\_\_\_\_  
 Notes: \_\_\_\_\_

# 1 Hole Round Lamp Holder Cover



### APPLICATIONS

- Wet Location Covers
- Outlet Boxes for use in wet location

### FEATURES

- One 1/2" trade size in center
- Include Gasket, Screws

### MATERIAL / FINISH

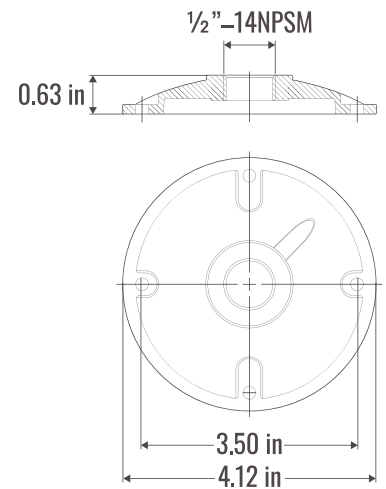
- Aluminum
- Gray

### CERTIFICATIONS

- UL Standard: 514
- CNL: AC22.2, No.18.1-04

### PACKAGING

- Weight: \_\_\_\_\_ 93 g
- PKG: \_\_\_\_\_ 50
- UPC number: \_\_\_\_\_ 837654089644



WEATHERPROOF



400 MARTIN LUTHER KING JR WAY, BRIDGETON, NJ 08302  
 PHONE : (718).338.1851 FAX : (718).228.1851  
 orders@ammoelectric.com

www.ammoelectric.com