



CATEGORY
**ELECTRICAL
FITTINGS**

AMMO ITEM #

AWCBF
100-500

Company: _____
Job: _____ #Item: _____
Notes: _____

Wire Connector



FEATURES

- Exceptional design makes twisting easier, ensuring proper installation - especially in tight spaces
- Deep surface ridges provide better grip
- Threaded funnel entry guides the wires into the Connector easily
- Swept-back wing design provides handling comfort and increased torquing ability
- Square wire spring provides secure gripping of conductors

MATERIAL

Tough thermoplastic UL 94V-2 flame-retardant

VOLTAG

300V Max.

WORKING TEMPERATURE

105° C

SPRING INSERT

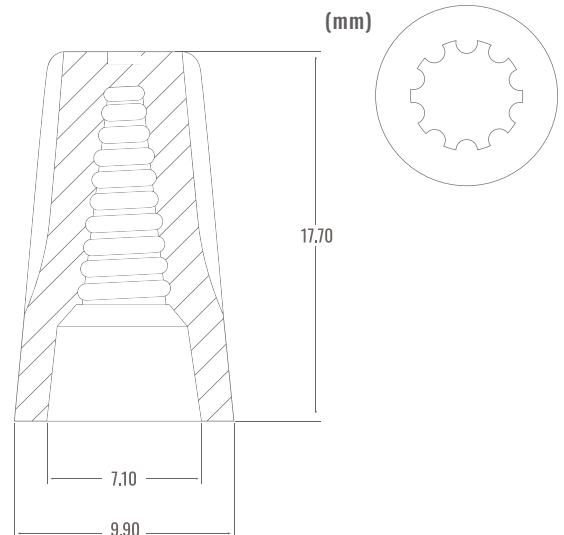
Steel

WIRE RANGE

#22-#14 AWG, Cu



AMMO#	MIN	MAX	COLOR	WEIGHT (g)	PKG	UPC
AWCBF-100	2#22	2#16	Blue	0.7	100 Bag	837654113646
AWCBF-500	2#22	2#16	Blue	0.7	500 Bag	837654113653



ELECTRICAL FITTINGS



400 MARTIN LUTHER KING JR WAY, BRIDGETON, NJ 08302
PHONE : (718).338.1851 FAX : (718).228.1851
orders@ammoelectric.com

www.ammoelectric.com