



CATEGORY  
**ELECTRICAL  
FITTINGS**

AMMO ITEM #

**AWCR**  
100-500

Company: \_\_\_\_\_  
Job: \_\_\_\_\_ #Item: \_\_\_\_\_  
Notes: \_\_\_\_\_

# Wire Connector Winged



## FEATURES

- Exceptional design makes twisting easier, ensuring proper installation - especially in tight spaces
- Deep surface ridges provide better grip
- Threaded funnel entry guides the wires into the Connector easily
- Swept-back wing design provides handling comfort and increased torquing ability
- Square wire spring provides secure gripping of conductors

## MATERIAL

Tough thermoplastic UL 94V-2 flame-retardant

## VOLTAGE

300V / 600V Max.

## WORKING TEMPERATURE

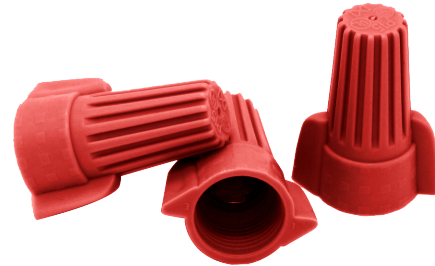
105° C

## SPRING INSERT

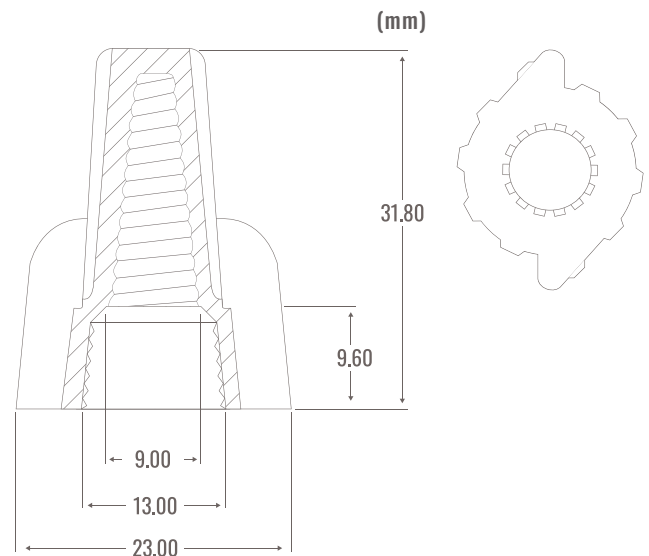
Steel

## WIRE RANGE

#18 - #8 AWG Max. 5#12 Sol Min. 3#16



AMMO#	MIN	MAX	COLOR	WEIGHT (g)	PKG	UPC
<b>AWCR-100</b>	2#22	2#16	Red	3.0	100 Bag	837654113585
<b>AWCR-500</b>	2#22	2#16	Red	3.0	500 Bag	837654113592



## ELECTRICAL FITTINGS



400 MARTIN LUTHER KING JR WAY, BRIDGETON, NJ 08302  
PHONE : (718).338.1851 FAX : (718).228.1851  
orders@ammoelectric.com

www.ammoelectric.com