



CATEGORY  
**ELECTRICAL  
FITTINGS**

AMMO ITEM #

AWCT  
100-500

Company: \_\_\_\_\_  
Job: \_\_\_\_\_ #Item: \_\_\_\_\_  
Notes: \_\_\_\_\_

# Wire Connector Winged



## FEATURES

- Exceptional design makes twisting easier, ensuring proper installation - especially in tight spaces
- Deep surface ridges provide better grip
- Threaded funnel entry guides the wires into the Connector easily
- Swept-back wing design provides handling comfort and increased torquing ability
- Square wire spring provides secure gripping of conductors

## MATERIAL

UL 94V-2 flame-retardant

## VOLTAG

600V Max.

## WORKING TEMPERATURE

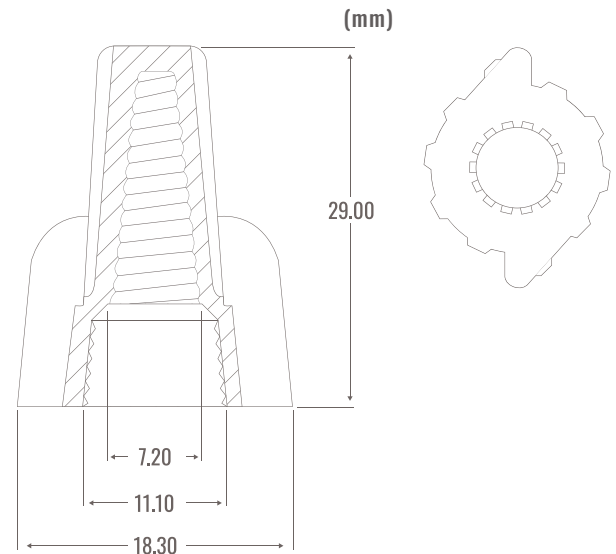
105° C

## WIRE RANGE

#22 - #8 AWG, Cu



AMMO#	MIN	MAX	COLOR	WEIGHT (g)	PKG	UPC
AWCT-100	3#18	4#14&1#18	Tan	1.9	100 Bag	837654113608
AWCT-500	3#18	4#14&1#18	Tan	1.8	500 Bag	837654113615



## ELECTRICAL FITTINGS



400 MARTIN LUTHER KING JR WAY, BRIDGETON, NJ 08302  
PHONE : (718).338.1851 FAX : (718).228.1851  
orders@ammoelectric.com

www.ammoelectric.com