



CATEGORY

WIRING  
DEVICES

AMMO ITEM #

DRTR15-IV

Company: \_\_\_\_\_

Job: \_\_\_\_\_ #Item: \_\_\_\_\_

Notes: \_\_\_\_\_

# Residential Receptacles



## Duplex receptacle, Rated 15A-125V, Tamper Resistant

### APPLICATIONS

- New or renovated single- and multi-family housing, schools, libraries, childcare and healthcare facilities
- Guest rooms and guest suites

### FEATURES

- Terminal screws accept up to No.12 AWG copper or copper-clad wire
- Quickwire push-in terminals accept No.14 AWG solid copper wire only
- Double-wipe power contacts for reliable conductivity and plug retention
- Impact resistant thermoplastic construction
- Heavy-gauge, galvanized steel mounting strap
- Double-wipe ground contacts ensure long-term ground retention
- Tri-Drive ground, terminal and mounting screws ease installation
- Captive mounting screws

### MATERIAL

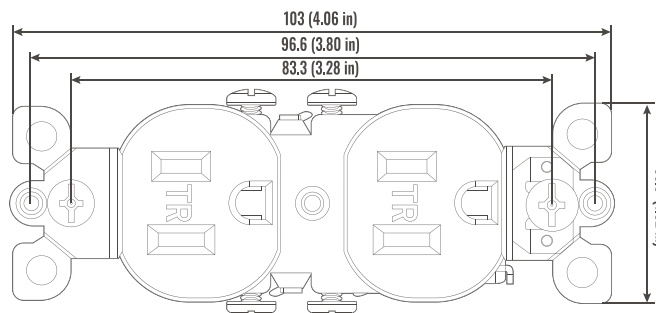
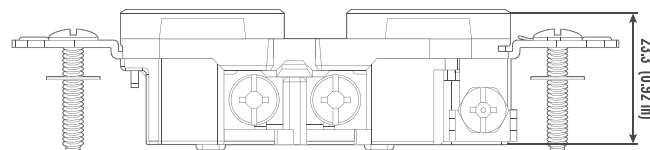
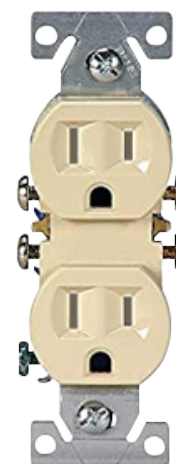
Polycarbonate

### PRODUCT SPECIFICATIONS

- Size: \_\_\_\_\_ 103\*33.5\*23.3 mm
- Wt. Ea: \_\_\_\_\_ 51.79 g
- Color: \_\_\_\_\_ Ivory

### PACKAGING

- Inner: \_\_\_\_\_ 10
- Master: \_\_\_\_\_ 100
- UPC Number: \_\_\_\_\_ 837654104774



## WIRING & DEVICES



400 MARTIN LUTHER KING JR WAY, BRIDGETON, NJ 08302  
PHONE : (718).338.1851 FAX : (718).228.1851  
orders@ammoelectric.com

www.ammoelectric.com