



CATEGORY

WIRING
DEVICES

AMMO ITEM #

DRTR15-WH

Company: _____

Job: _____ #Item: _____

Notes: _____

Residential Receptacles



Duplex receptacle, Rated 15A-125V, Tamper Resistant

APPLICATIONS

- New or renovated single- and multi-family housing, schools, libraries, childcare and healthcare facilities
- Guest rooms and guest suites

FEATURES

- Terminal screws accept up to No.12 AWG copper or copper-clad wire
- Quickwire push-in terminals accept No.14 AWG solid copper wire only
- Double-wipe power contacts for reliable conductivity and plug retention
- Impact resistant thermoplastic construction
- Heavy-gauge, galvanized steel mounting strap
- Double-wipe ground contacts ensure long-term ground retention
- Tri-Drive ground, terminal and mounting screws ease installation
- Captive mounting screws

MATERIAL

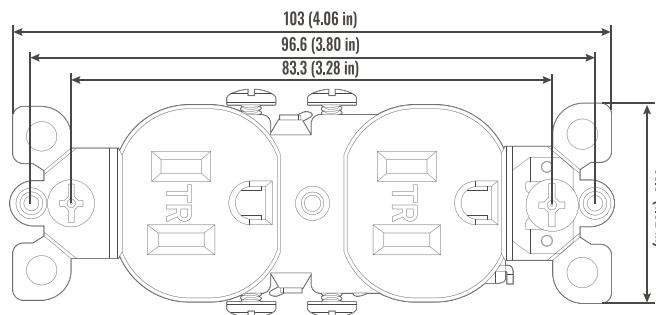
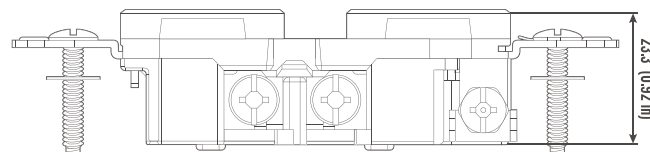
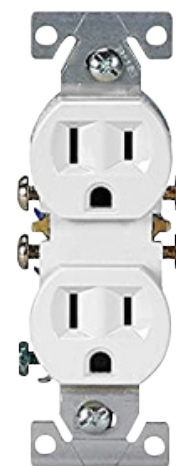
Polycarbonate

PRODUCT SPECIFICATIONS

- Size: _____ 103*33.5*23.3 mm
- Wt. Ea: _____ 51.79 g
- Color: _____ White

PACKAGING

- Inner: _____ 10
- Master: _____ 100
- UPC Number: _____ 837654104767



WIRING & DEVICES



400 MARTIN LUTHER KING JR WAY, BRIDGETON, NJ 08302
PHONE : (718).338.1851 FAX : (718).228.1851
orders@ammoelectric.com

www.ammoelectric.com