



CATEGORY

WIRING
DEVICES

AMMO ITEM #

DSPS15-IV

Company: _____
Job: _____ #Item: _____
Notes: _____

Residential Switches



Decorator Single Pole Switch, Rated 15A-120-277V AC

APPLICATIONS

- New or renovated single- and multi-family housing, schools, libraries, childcare and healthcare facilities
- Guest rooms and guest suites

FEATURES

- Extra-long, through-body strap eliminates floating installations and imperfect applications
- Heavy-duty impact-resistant thermoplastic construction for long service life
- Back and side-wiring terminals accept both solid and stranded wire to ease installation
- Smooth, quiet paddle and toggle action
- Narrow back body leaves more room for wires in the box
- Tri-Drive ground, terminal and mounting screws ease installation
- Terminal screw backed out ready for wiring

MATERIAL

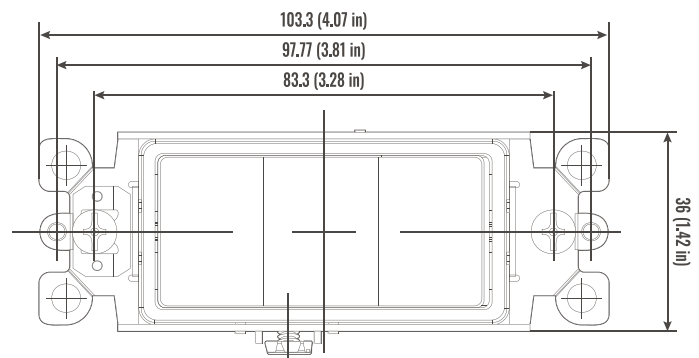
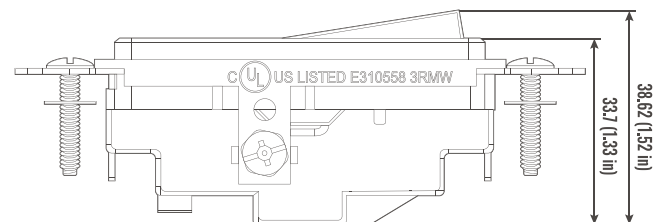
Polycarbonate

PRODUCT SPECIFICATIONS

- Size: _____ 103*36*38.62 mm
- Wt. Ea: _____ 53.89 g
- Color: _____ Ivory

PACKAGING

- Inner: _____ 10
- Master: _____ 100
- UPC Number: _____ 837654105252



WIRING & DEVICES



400 MARTIN LUTHER KING JR WAY, BRIDGETON, NJ 08302
PHONE : (718).338.1851 FAX : (718).228.1851
orders@ammoelectric.com

www.ammoelectric.com