



CATEGORY

WIRING  
DEVICES

AMMO ITEM #

DSPS15-WH

Company: \_\_\_\_\_

Job: \_\_\_\_\_ #Item: \_\_\_\_\_

Notes: \_\_\_\_\_

# Residential Switches



## Decorator Single Pole Switch, Rated 15A-120-277V AC

### APPLICATIONS

- New or renovated single- and multi-family housing, schools, libraries, childcare and healthcare facilities
- Guest rooms and guest suites

### FEATURES

- Extra-long, through-body strap eliminates floating installations and imperfect applications
- Heavy-duty impact-resistant thermoplastic construction for long service life
- Back and side-wiring terminals accept both solid and stranded wire to ease installation
- Smooth, quiet paddle and toggle action
- Narrow back body leaves more room for wires in the box
- Tri-Drive ground, terminal and mounting screws ease installation
- Terminal screw backed out ready for wiring

### MATERIAL

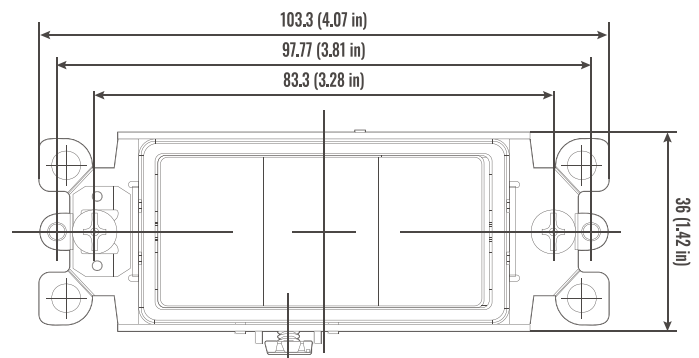
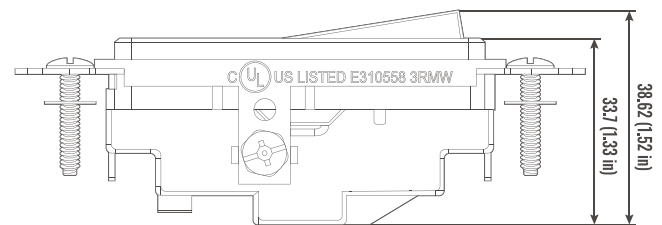
Polycarbonate

### PRODUCT SPECIFICATIONS

- Size: \_\_\_\_\_ 103\*36\*38.62 mm
- Wt. Ea: \_\_\_\_\_ 53.89 g
- Color: \_\_\_\_\_ White

### PACKAGING

- Inner: \_\_\_\_\_ 10
- Master: \_\_\_\_\_ 100
- UPC Number: \_\_\_\_\_ 837654105245



## WIRING & DEVICES



400 MARTIN LUTHER KING JR WAY, BRIDGETON, NJ 08302  
PHONE : (718).338.1851 FAX : (718).228.1851  
orders@ammoelectric.com

www.ammoelectric.com