



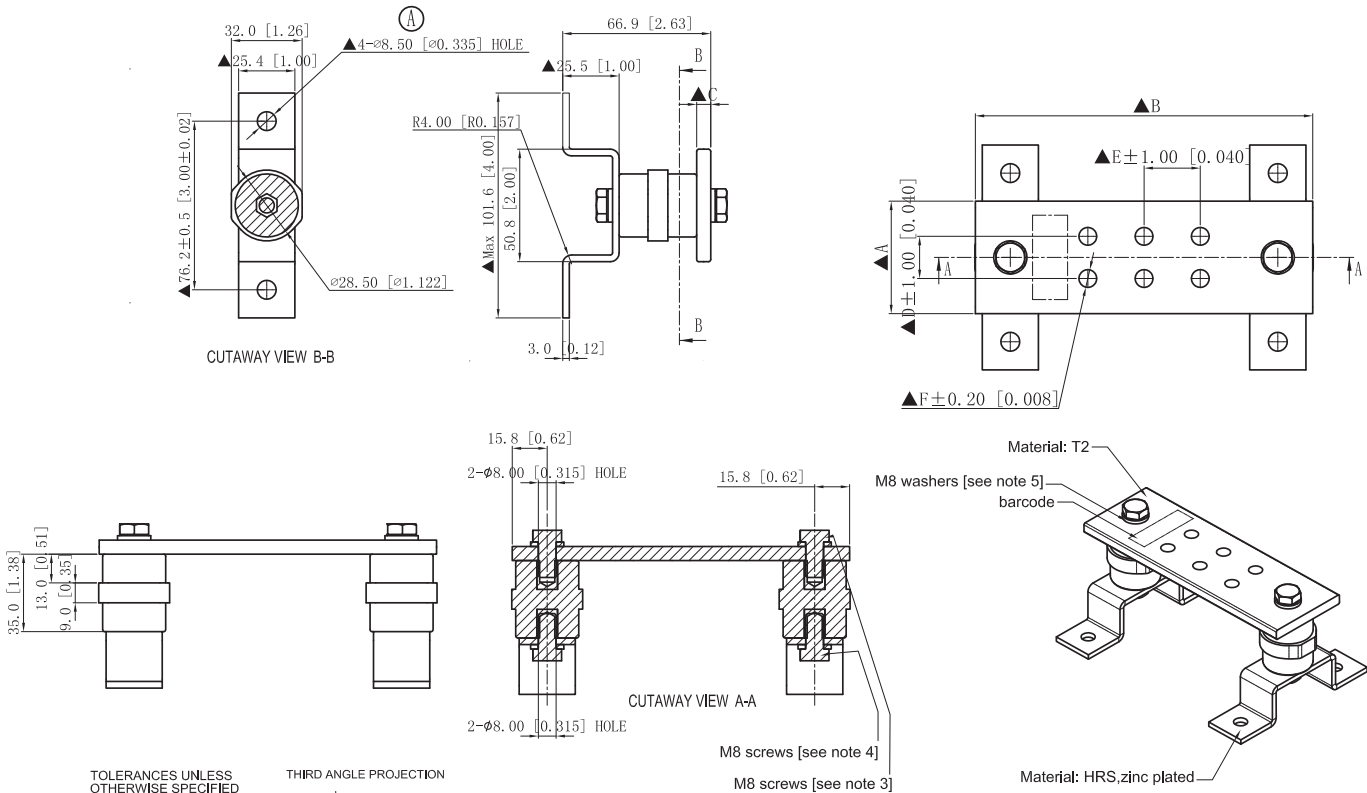
CATEGORY
STRUT & GROUND
 AMMO ITEM #
GROUNDING BUSBARS

Company: _____
 Job: _____ #Item: _____
 Notes: _____

Grounding Busbars

Busbars provides a central point for equipment ground connections

AMMO#	SIZE						WEIGHT (g)	PKG	UPC
	A	B	C	D	E	F			
GB2-6	50.8 [2.00]	152.4 [6.00]	6.0 [0.24]	20.0 [0.79]	2-25.4 [1.00]	6- Φ 8.00 [Φ 0.315]	740	20	837654067130
GB2-12	50.8 [2.00]	304.8 [12.00]	6.0 [0.24]	20.0 [0.79]	8-25.4 [1.00]	18- Φ 8.00 [Φ 0.315]	1150	10	837654067147



TOLERANCES UNLESS OTHERWISE SPECIFIED
 INCHES: ANGULAR: X, X: \pm 0.1 X, X X: \pm 0.05 X, X X X: \pm 0.008
 MILLIMETER: ANGULAR: X: \pm 2.54 X, X: \pm 1.27 X, X X: \pm 0.203



- All dimensions in millimeters and [inches]
- Free of sharp edge and burrs. max burr 0.127[0.005]
- 2pcs M8X 16 hex head machine screw, zinc plated
- 2pcs M8X 12 hex head machine screw, zinc plated
- 4pcs M8 plain washers, zinc plated
- Insulation rating: SM35
- Torque strength: 10 lbs
- Tensile strength: 800 lbs

STRUT & GROUND



400 MARTIN LUTHER KING JR WAY, BRIDGETON, NJ 08302
 PHONE : (718).338.1851 FAX : (718).228.1851
 orders@ammoelectric.com

www.ammoelectric.com