



CATEGORY

STRUT & GROUND

AMMO ITEM #

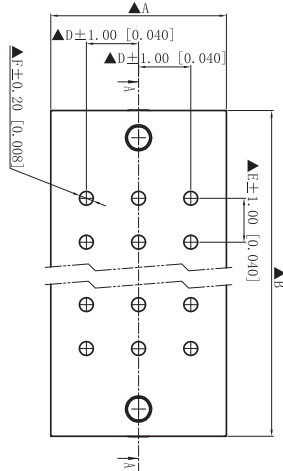
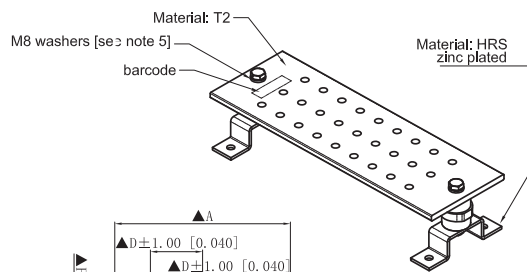
GROUNDING BUSBARS

Company: _____
 Job: _____ #Item: _____
 Notes: _____

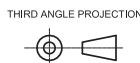
Grounding Busbars

Busbars provides a central point for equipment ground connections

AMMO#	SIZE						WEIGHT (g)	PKG	UPC
	A	B	C	D	E	F			
GB4-12	101.6 [4.00]	304.8 [12.00]	6.0 [0.24]	2-30.2 [1.19]	8-25.4 [1.00]	27- Φ 8.00 [Φ 0.315]	1917	10	837654067154
GB4-24	101.6 [4.00]	609.6 [24.00]	6.0 [0.24]	2-30.2 [1.19]	20-25.4 [1.00]	63- Φ 8.00 [Φ 0.315]	3100	4	837654067161



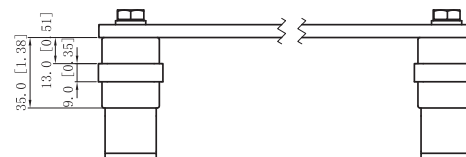
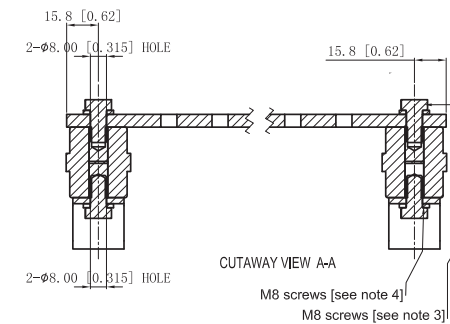
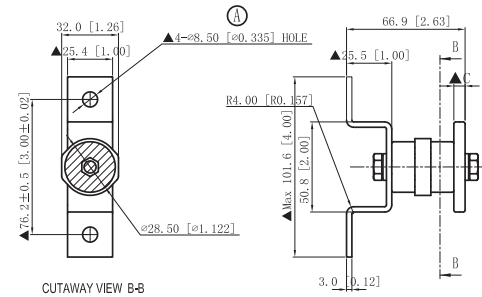
TOLERANCES UNLESS OTHERWISE SPECIFIED
 INCHES MILLIMETER
 ANGULAR: ANGULAR:
 X, X: ±0.1 X: ±0.54
 X, X X: ±0.05 X, X: ±1.27
 X, X X X: ±0.008 X, X X: ±0.203



GB2-6



GB2-12



- All dimensions in millimeters and [inches]
- Free of sharp edge and burrs.max burr 0.127[0.005]
- 2pcs M8X 16 hex head machine screw, zinc plated
- 2pcs M8X 12 hex head machine screw, zinc plated
- 4pcs M8 plain washers, zinc plated
- Insulation rating: SM35
- Torque strength: 10 lbs
- Tensille strength: 800 lbs

STRUT & GROUND



400 MARTIN LUTHER KING JR WAY, BRIDGETON, NJ 08302
 PHONE : (718).338.1851 FAX : (718).228.1851
 orders@ammoelectric.com

www.ammoelectric.com