



CATEGORY

WIRING
DEVICES

AMMO ITEM #

IP1450P

Company: _____

Job: _____ #Item: _____

Notes: _____

Industrial Plug



APPLICATION

New or renovated single- and multi-family housing, schools, libraries, childcare, healthcare facilities, guest rooms and guest suites

FEATURES

- Solid brass plug blades are firmly embedded in body
- Terminal screw clamp are designed to contain wire and prevent binding
- Terminal screws backed out-ready for wiring
- Terminals in individual chambers to positively insulate conductors
- Armored housing automatically grounded

MATERIAL

PVC, Brass

MATERIAL CHARACTERISTICS

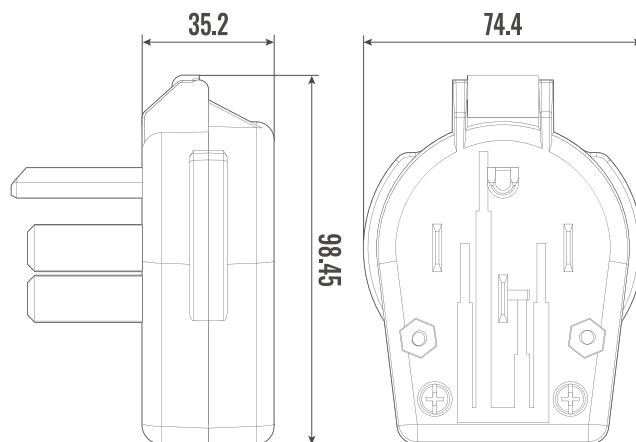
- Environmental: Flammability, UL-94, Rated V0
- Operating Temperature: -40° F to 167° F (-40° C to 75° C)

SPECIFICATIONS

- Color: _____ Black
- Rating: _____ 30/50A, 125/250VAC
- NEMA: _____ 14-30P/14-50P
- Pole: _____ 3
- Wire: _____ 4
- Dielectric Voltage: _____ Withstands 2000V per UL498
- Face Material: _____ Thermoplastic
- Body Material: _____ Thermoplastic

PACKAGING

- Weight: _____ 204 g
- Inner: _____ 1
- Master: _____ 100
- UPC Number: _____ 837654105146



MEASURES in mm

WIRING & DEVICES



400 MARTIN LUTHER KING JR WAY, BRIDGETON, NJ 08302
PHONE : (718).338.1851 FAX : (718).228.1851
orders@ammoelectric.com

www.ammoelectric.com