



CATEGORY

WIRING  
DEVICES

AMMO ITEM #

IP650P

Company: \_\_\_\_\_

Job: \_\_\_\_\_ #Item: \_\_\_\_\_

Notes: \_\_\_\_\_

# Industrial Plug



## APPLICATION

New or renovated single- and multi-family housing, schools, libraries, childcare, healthcare facilities, guest rooms and guest suites

## FEATURES

- Solid brass plug blades are firmly embedded in body
- Terminal screw clamp are designed to contain wire and prevent binding
- Terminal screws backed out-ready for wiring
- Terminals in individual chambers to positively insulate conductors
- Armored housing automatically grounded

## MATERIAL

PVC, Brass

## MATERIAL CHARACTERISTICS

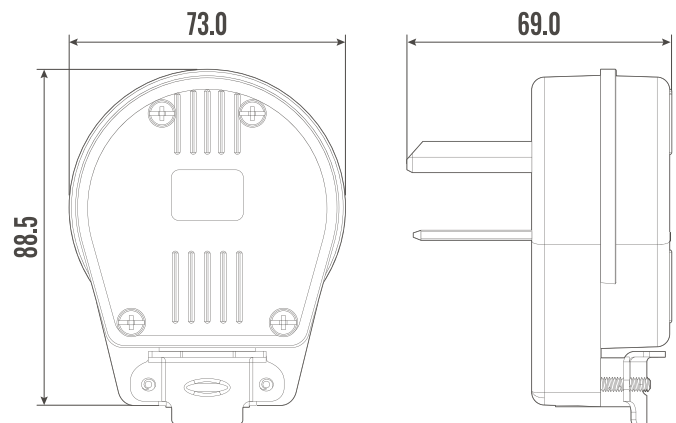
- Environmental: Flammability, UL-94, Rated V0
- Operating Temperature: -40° F to 167° F (-40° C to 75° C)

## SPECIFICATIONS

- Color: \_\_\_\_\_ Black
- Rating: \_\_\_\_\_ 30/50A, 250VAC
- NEMA: \_\_\_\_\_ 6-30P/6-50P
- Pole: \_\_\_\_\_ 2
- Wire: \_\_\_\_\_ 3
- Dielectric Voltage: \_\_\_\_\_ Withstands 2000V per UL498
- Face Material: \_\_\_\_\_ Thermoplastic
- Body Material: \_\_\_\_\_ Thermoplastic

## PACKAGING

- Weight: \_\_\_\_\_ 220 g
- Inner: \_\_\_\_\_ 1
- Master: \_\_\_\_\_ 100
- UPC Number: \_\_\_\_\_ 837654105153



MEASURES in mm

## WIRING & DEVICES



400 MARTIN LUTHER KING JR WAY, BRIDGETON, NJ 08302  
PHONE : (718).338.1851 FAX : (718).228.1851  
orders@ammoelectric.com

www.ammoelectric.com