



CATEGORY

NEC (Nipples,
Elbows & Couplings)

AMMO ITEM #

LG RADIUS
ELBOW

Company: _____

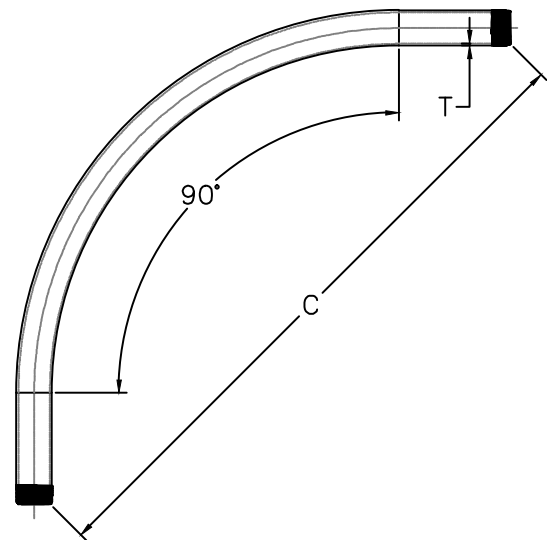
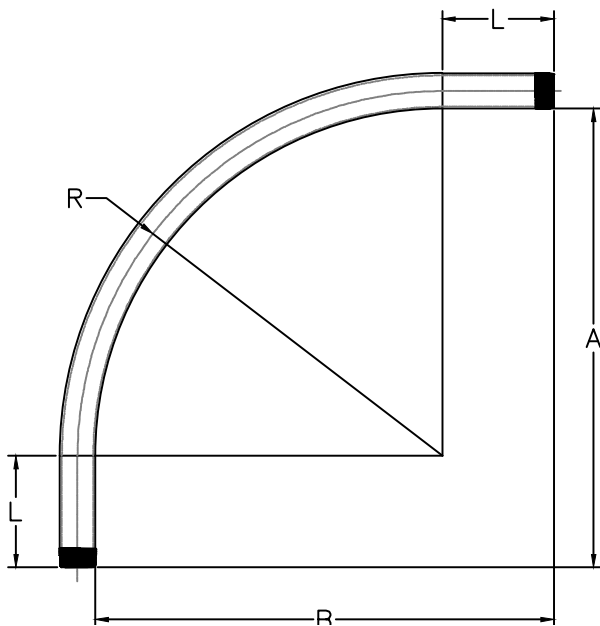
Job: _____ #Item: _____

Notes: _____

Large Radius Rigid Elbows



AMMO#	SIZE	A	B	C	OD (in)	THICKNESS T (in)	STRAIGHT LENGTH L (in)	RADIUS R (in)	WEIGHT (g)	PKG	UPC
ARRE39036	3X90X36	45.250	45.250	64.216	3.500	0.205	11.000	36.000	20635	1	837654100868
ARRE49036	4X90X36	44.750	44.750	63.286	4.500	0.224	11.000	36.000	29495	1	837654100875
ARRE59036	5X90X36	44.219	44.219	62.534	5.560	0.244	11.000	36.000	39912	1	837654106860
ARRE69036	6X90X36	43.685	43.685	61.783	6.625	0.268	11.000	36.000	52145	1	837654106877



FEATURES

- Low conductivity, high corrosion resistance
- Smooth defect free interior and exterior

MATERIAL

Galvanized steel

FINISH

Hot dip galvanized

APPLICATIONS

- For a secure connection to Rigid conduit; bend enables directional changes in conduit

NEC (Nipples, Elbows & Couplings)



400 MARTIN LUTHER KING JR WAY, BRIDGETON, NJ 08302
PHONE : (718).338.1851 FAX : (718).228.1851
orders@ammoelectric.com

www.ammoelectric.com