



CATEGORY

LINE
SUPPLIES

AMMO ITEM #

ARSB-144FO

Company: _____
 Job: _____ #Item: _____
 Notes: _____

Cable Storage Bracket



APPLICATIONS

- Used to manage excess cable lengths in the air or underground at the level of the boxes or splice protections
- Prevents pistoning effects on overhead ADSS cables
- The FOSB coiling device is to be installed on L1047 series cables and high-capacity cables (144FO) in the room at the foot of the poles

FEATURES

- Tensile strength: 410N/mm² to 560N/mm²
- Design: flat steel with holes
- Structure: single-side bracket, triangle bracket
- Post fixing: strip / drilling
- Type of supports: wood, metal
- Possibility to position a splice box in the center of the device

MATERIAL

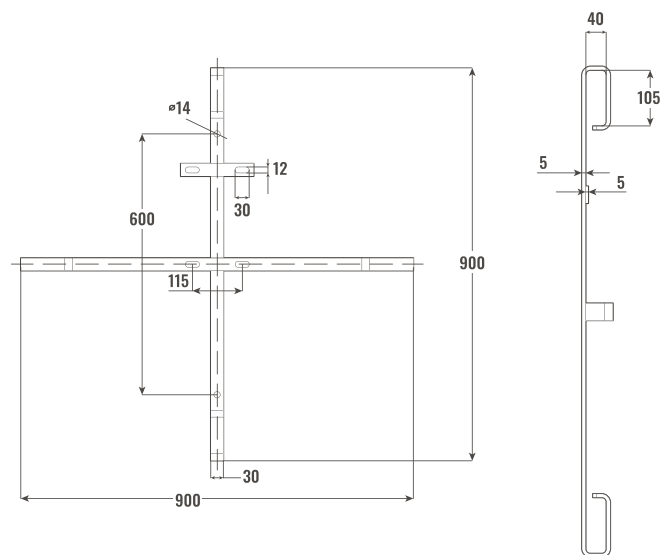
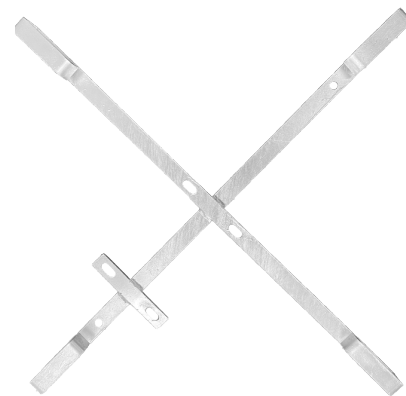
Q235 carbon steel

FINISH

Hot-Dip Galvanized

PACKAGING

- Weight: _____ 2900 g
- PKG: _____ 1
- UPC number: _____ 837654117910



LINE SUPPLIES



400 MARTIN LUTHER KING JR WAY, BRIDGETON, NJ 08302
 PHONE : (718).338.1851 FAX : (718).228.1851
 orders@ammoelectric.com

www.ammoelectric.com