



CATEGORY

VENTILATION
FANS

AMMO ITEM #

ARSE-P

Company: _____
Job: _____ #Item: _____
Notes: _____

Ventilator Fan AC motor



DESCRIPTION

- Should be ceiling mounted and capable of exhausting air quietly and efficiently
- It comes with a capacitor start motor which is known for its high efficiency and long lasting reliability
- This fan has a unique plug and play concept that allows you to add accessories such as motion sensor, humidistat, light, or even speed / controller without changing the fan

HOUSING

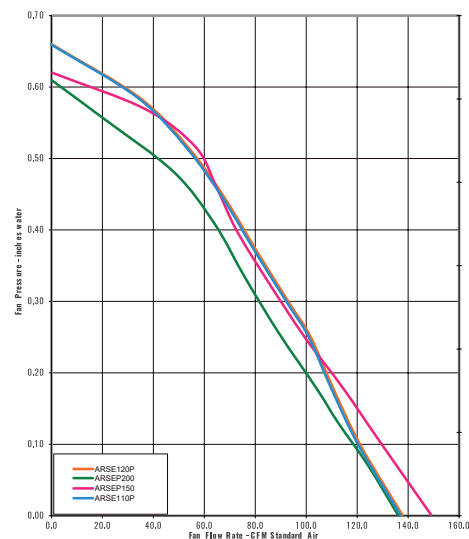
- Made of rugged 26 GA galvanized steel
- Detachable 6 inch polymeric collar which includes a light weight built in back draft damper
- Double hanger bar mounting brackets that are adjustable up to 24 inch span allows for ideal positioning.

MOTOR/BLOWER

- Plug in permanently lubricated motor- Engineered for continuous operation
- Power rating should be 120 volts and 60 Hz
- Fan shall be ETL and cETL listed for tub/shower enclosure when used with a GFCI branch circuit
- Motor comes with a built in overload disconnect for safety and longer motor life
- Our ventilators operates at lower RPM's to give you quieter operation

GRILLE

- The grille is low profile that has elegance and still able to maintain its simplicity
- Made of a rugged polymeric resin that's known for its long life durability
- Grille dimension: 13" x 13-3/4"



VENTILATION FANS



1000 COMMERCE CENTER DR ELKTON MD 21921
PHONE : (718).338.1851 FAX : (718).228.1851
orders@ammoelectric.com

www.ammoelectric.com



CATEGORY

VENTILATION
FANS

AMMO ITEM #

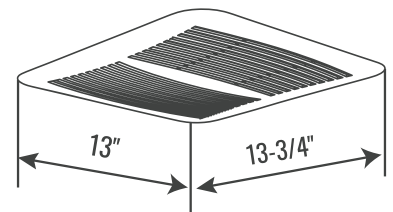
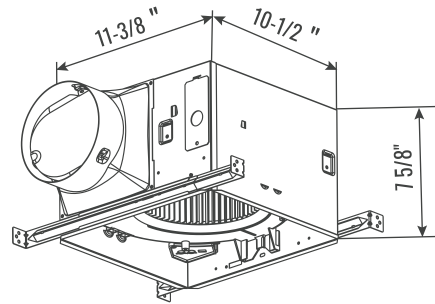
ARSE-P

Ventilator Fan AC motor



TYPICAL SPECIFICATION

- Ceiling ventilator shall have corrosion resistance galvanized steel housing with 4 point mounting capability
- It shall be ducted to a roof vent or wall cap using 6 inch round pipe
- Blower assembly shall be removable, have a centrifugal type blower wheel and a permanently lubricated motor designed for continuous operation
- Air and sound delivery shall meet the HVI certified ratings as per the fan curves attached
- Ventilators come with permanent split capacitor motor which improves efficiency



CERTIFICATIONS

- c/ETL
- HVI
- E-star

AMMO#	ARSE110P		ARSE120P		ARSEP150		ARSEP200	
PRODUCT SIZE	11 3/8"x10 1/2"x7 5/8"		11 3/8"x10 1/2"x7 5/8"		11 3/8"x10 1/2"x7 5/8"		11 3/8"x10 1/2"x7 5/8"	
STATIC PRESSURE IN INCHES W.G	0.1	0.25	0.1	0.25	0.1	0.25	0.1	0.25
AIR VOLUME (CFM)	110	92	120	100	150	115	200	167
NOISE (SONES)	0.9	N/A	0.9	N/A	0.5	N/A	1.5	N/A
FAN WATTS	28	N/A	30	N/A	35	N/A	42	N/A
DUCT DIAMETER	6"							
POWER RATING (V/HZ)	120/60							
WEIGHT	3.76 kg		3.76 kg		4.01 kg		4.01 kg	
PKG	1		1		1		1	
UPC	837654124123		837654124130		837654123751		837654123768	

VENTILATION FANS



1000 COMMERCE CENTER DR ELKTON MD 21921
PHONE : (718).338.1851 FAX : (718).228.1851
orders@ammoelectric.com

www.ammoelectric.com