



CATEGORY

STRUT & THREADED ROD

AMMO ITEM #

USA-ARSTSL-1-5/8-12-PG

Company: _____
 Job: _____ #Item: _____
 Notes: _____

Strut Channels Oval Slotted, Deep



FEATURES

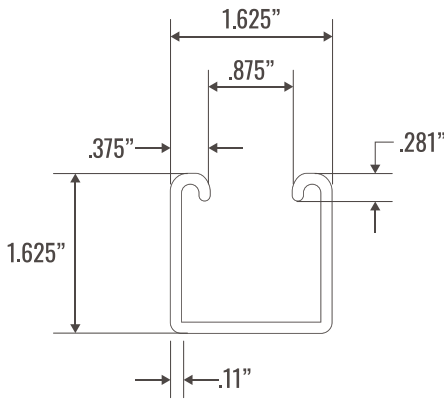
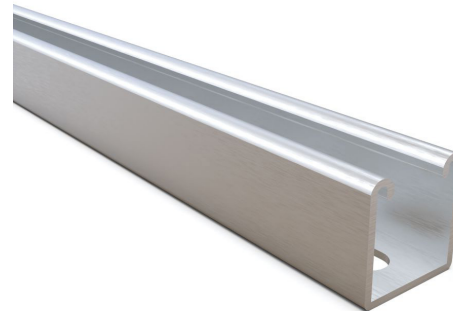
- Proudly Made in the USA
- Effective Properties incorporate
- Strength increase from Cold Forming
- Safety Factor for Beams is 1.67
- Safety Factor for Columns is 1.80

MATERIAL

Steel A1003 Grade 50

CERTIFICATION

AISI S100-2016



AMMO#	PHYSICAL PROPERTIES								
	SIZE (ft)	WEB DEPTH (in)	FLANGE (in)	RETURN (in)	AREA (in ²)	WEIGHT (plf)	GAUGE	PKG	UPC
USA-ARSTSL-1-5/8-12-10FT-PG	10	1.625	1.625	0.375	0.5518	1.8761	12	50	8376541294556
USA-ARSTSL-1-5/8-12-20FT-PG	20	1.625	1.625	0.375	0.5518	1.8761	12	50	837654129494

STRUT



400 MARTIN LUTHER KING JR WAY, BRIDGETON, NJ 08302
 PHONE : (718).338.1851 FAX : (718).228.1851
 orders@ammoelectric.com

www.ammoelectric.com



CATEGORY
**STRUT &
 THREADED ROD**

AMMO ITEM #
USA-ARSTSL-1-5/8-12-PG

Strut Channels

Oval Slotted, Deep



SPAN (in)	BEAM LOADING							MAX ALLOW MOMENT AT SPAN (lb-ft)
	MAX ALLOW UNIFORM - FULLY BRACED (plf)	MAX ALLOW UNIFORM LOAD (lbs)	MAX ALLOW UNIFORM LOAD (plf)	DEFLECTION AT MAX LOAD (in)	MAX UNIFORM LOAD AT DEFLECTION (plf)			
					L/180	L/240	L/360	
18	1889.57	3365.30	2243.60	0.05	2243.6	2243.6	2078.4	631
24	1062.88	2404.00	1202.00	0.09	1202.0	1202.0	876.8	601
36	472.39	1392.00	464.00	0.18	464.0	389.7	259.8	522
48	265.72	904.00	226.00	0.27	219.2	164.4	109.6	452
60	170.06	633.60	126.70	0.37	112.2	84.2	56.1	396
72	118.09	465.30	77.60	0.48	64.9	48.7	32.5	349
84	86.76	357.70	51.10	0.58	40.9	30.7	20.5	313
96	66.43	288.00	36.00	0.70	27.4	20.6	13.7	288
108	52.48	238.20	26.50	0.83	19.2	14.4	9.6	268
120	42.51	200.80	20.10	0.95	14.0	10.5	7.0	251

SPAN (in)	COLUMN LOADING			
	MAX COLUMN LOAD AT CENTER OF GRAVITY (lb)			
	K= 0.65	K= 0.80	K= 1.0	K= 1.2
18	14.365	13.348	11.914	10.492
24	12.874	11.434	9.589	7.952
36	9.810	7.952	5.962	4.689
48	7.228	5.462	4.122	3.346
60	5.350	4.122	3.200	2.637
72	4.249	3.346	2.637	2.177
84	3.551	2.835	2.243	1.840
96	3.068	2.464	1.943	1.577
108	2.708	2.177	1.701	KL/r>200
120	2.425	1.943	KL/r>200	KL/r>200
144	1.997	KL/r>200	KL/r>200	KL/r>200

STRUT



400 MARTIN LUTHER KING JR WAY, BRIDGETON, NJ 08302
 PHONE : (718).338.1851 FAX : (718).228.1851
 orders@ammoelectric.com

www.ammoelectric.com