



CATEGORY

# STRUT & THREADED ROD

AMMO ITEM #

USA-ARSTSL-1-5/8-14-PG

Company: \_\_\_\_\_  
 Job: \_\_\_\_\_ #Item: \_\_\_\_\_  
 Notes: \_\_\_\_\_

## Strut Channels Oval Slotted, Deep



### FEATURES

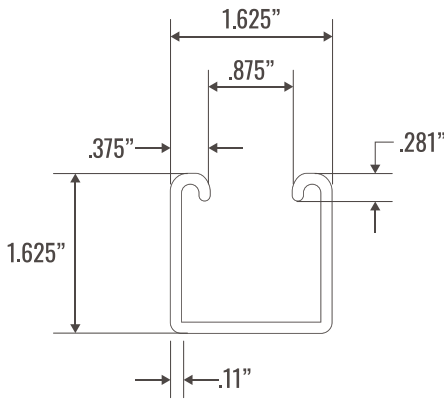
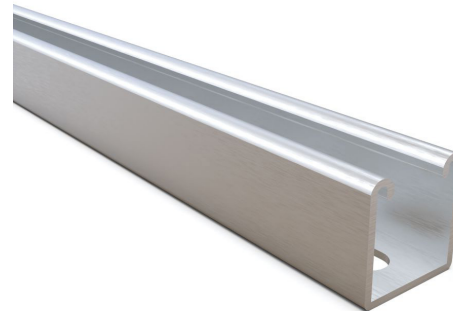
- Proudly Made in the USA
- Effective Properties incorporate
- Strength increase from Cold Forming
- Safety Factor for Beams is 1.67
- Safety Factor for Columns is 1.80

### MATERIAL

Steel A1003 Grade 50

### CERTIFICATION

AISI S100-2016



AMMO#	PHYSICAL PROPERTIES								
	SIZE (ft)	WEB DEPTH (in)	FLANGE (in)	RETURN (in)	AREA (in <sup>2</sup> )	WEIGHT (plf)	GAUGE	PKG	UPC
USA-ARSTSL-1-5/8-14-10FT-PG	10	1.625	1.625	0.375	0.40265	1.369	14	50	837654129463
USA-ARSTSL-1-5/8-14-20FT-PG	20	1.625	1.625	0.375	0.40265	1.369	14	50	837654129500

## STRUT



400 MARTIN LUTHER KING JR WAY, BRIDGETON, NJ 08302  
 PHONE : (718).338.1851 FAX : (718).228.1851  
 orders@ammoelectric.com

www.ammoelectric.com



CATEGORY  
**STRUT &  
 THREADED ROD**

AMMO ITEM #

USA-ARSTSL-1-5/8-14-PG

# Strut Channels

## Oval Slotted, Deep



SPAN (in)	MAX ALLOW UNIFORM - FULLY BRACED (plf)	MAX ALLOW UNIFORM - FULLY BRACED (lbs)	MAX ALLOW UNIFORM LOAD (plf)	MAX ALLOW UNIFORM LOAD (lbs)	DEFLECTION AT MAX LOAD (in)	BEAM LOADING			MAX ALLOW MOMENT AT SPAN (lb-ft)
						MAX UNIFORM LOAD AT DEFLECTION (plf)			
						L/180	L/240	L/360	
18	1505.79	2258.68	1336.90	2005.30	0.04	1336.9	1336.9	1336.9	376
24	847.01	1694.01	752.00	1504.00	0.07	752.0	752.0	677.4	376
36	376.45	1129.34	330.70	992.00	0.16	330.7	301.1	200.7	372
48	211.75	847.01	145.00	580.00	0.23	145.0	127.0	84.7	290
60	135.52	677.60	64.00	320.00	0.25	64.0	64.0	43.4	200
72	94.11	564.67	39.80	238.70	0.32	39.8	37.6	25.1	179
84	69.14	484.00	25.00	174.90	0.37	25.0	23.7	15.8	153
96	52.94	423.50	17.00	136.00	0.43	17.0	15.9	10.6	136
108	41.83	376.45	12.20	110.20	0.49	12.2	11.2	7.4	124
120	33.88	338.80	9.20	92.00	0.57	9.2	8.1	5.4	115

SPAN (in)	COLUMN LOADING			
	MAX COLUMN LOAD AT CENTER OF GRAVITY (lb)			
	K= 0.65	K= 0.80	K= 1.0	K= 1.2
18	8472	9.930	8.944	7.914
24	4765	8.602	7.231	5.935
36	2118	5.935	4.270	3.195
48	1191	3.845	2.726	2.107
60	762	2.726	1.995	1.581
72	529	2.107	1.581	1.274
84	389	1.722	1.316	1.071
96	297	1.462	1.131	922
108	235	1.274	991	KL/r>200
120	190	1.131	KL/r>200	KL/r>200
144	132	922	KL/r>200	KL/r>200

### STRUT



400 MARTIN LUTHER KING JR WAY, BRIDGETON, NJ 08302  
 PHONE : (718).338.1851 FAX : (718).228.1851  
 orders@ammoelectric.com

www.ammoelectric.com