



CATEGORY

STRUT & THREADED ROD

AMMO ITEM #

USA-ARSTSL-13/16-12-PG

Company: _____
 Job: _____ #Item: _____
 Notes: _____

Strut Channels Oval Slotted, Shallow



FEATURES

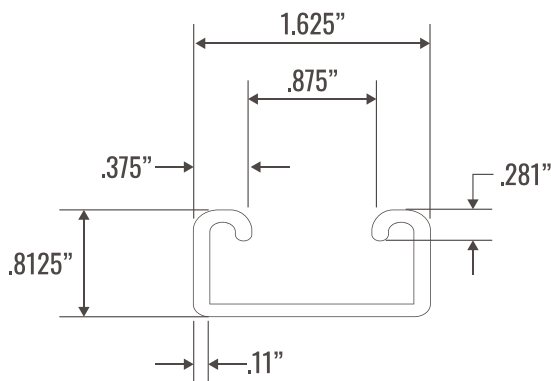
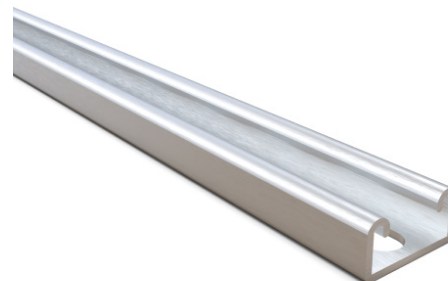
- Proudly Made in the USA
- Effective Properties incorporate
- Strength increase from Cold Forming
- Safety Factor for Beams is 1.67
- Safety Factor for Columns is 1.80

MATERIAL

Steel A1003 Grade 50

CERTIFICATION

AISI S100-2016



PHYSICAL PROPERTIES

AMMO#	SIZE (ft)	WEB DEPTH (in)	FLANGE (in)	RETURN (in)	AREA (in ²)	WEIGHT (plf)	GAUGE	PKG	UPC
USA-ARSTSL-1-13/16-12-10FT-PG	10	1.625	1.625	0.375	0.5518	1.8761	12	50	837654129470
USA-ARSTSL-13/16-12-20FT-PG	20	1.625	1.625	0.375	0.5518	1.8761	12	50	837654129500

STRUT



400 MARTIN LUTHER KING JR WAY, BRIDGETON, NJ 08302
 PHONE : (718).338.1851 FAX : (718).228.1851
 orders@ammoelectric.com

www.ammoelectric.com



CATEGORY
**STRUT &
 THREADED ROD**
 AMMO ITEM #
 USA-ARSTSL-13/16-12-PG

Strut Channels

Oval Slotted, Shallow



SPAN (in)	BEAM LOADING								
	MAX ALLOW UNIFORM - FULLY BRACED (plf)	MAX ALLOW UNIFORM - FULLY BRACED (lbs)	MAX ALLOW UNIFORM LOAD (plf)	MAX ALLOW UNIFORM LOAD (lbs)	DEFLECTION AT MAX LOAD (in)	MAX UNIFORM LOAD AT DEFLECTION (plf)			MAX ALLOW MOMENT AT SPAN (lb-ft)
						L/180	L/240	L/360	
18	637.10	955.66	728.90	1093.30	0.11	692.5	519.4	346.3	205
24	358.37	716.74	410.00	820.00	0.19	292.2	219.1	146.1	205
36	159.27	477.83	176.90	530.70	0.41	86.6	64.9	43.3	199
48	89.59	358.37	96.00	384.00	0.70	36.5	27.4	18.3	192
60	57.33	286.69	59.80	299.20	1.07	18.7	14.0	9.3	187
72	39.81	238.91	40.70	244.00	1.50	10.8	8.1	5.4	183
84	29.25	204.78	29.10	203.40	1.99	6.8	5.1	3.4	178
96	22.39	179.18	21.80	174.00	2.54	4.6	3.4	2.3	174
108	17.69	159.27	16.80	151.10	3.14	3.2	2.4	1.6	170
120	14.33	143.34	13.20	132.00	3.77	2.3	1.8	1.2	165

SPAN (in)	COLUMN LOADING			
	MAX COLUMN LOAD AT CENTER OF GRAVITY (lb)			
	K= 0.65	K= 0.80	K= 1.0	K= 1.2
18	10.273	9.610	8.782	8.053
24	9.324	8.527	7.623	6.881
36	7.726	6.881	5.982	5.233
48	6.558	5.721	4.779	871
60	5.657	4.779	KL/r>200	KL/r>200
72	4.890	KL/r>200	KL/r>200	KL/r>200
84	4.190	KL/r>200	KL/r>200	KL/r>200
96	KL/r>200	KL/r>200	KL/r>200	KL/r>200
108	KL/r>200	KL/r>200	KL/r>200	KL/r>200
120	KL/r>200	KL/r>200	KL/r>200	KL/r>200
144	KL/r>200	KL/r>200	KL/r>200	KL/r>200

STRUT



400 MARTIN LUTHER KING JR WAY, BRIDGETON, NJ 08302
 PHONE : (718).338.1851 FAX : (718).228.1851
 orders@ammoelectric.com

www.ammoelectric.com