



CATEGORY

STRUT & THREADED ROD

AMMO ITEM #

USA-ARSTSL-13/16-14-PG

Company: _____
 Job: _____ #Item: _____
 Notes: _____

Strut Channels Oval Slotted, Shallow



FEATURES

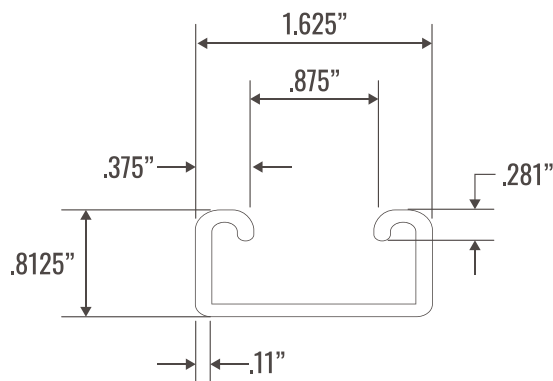
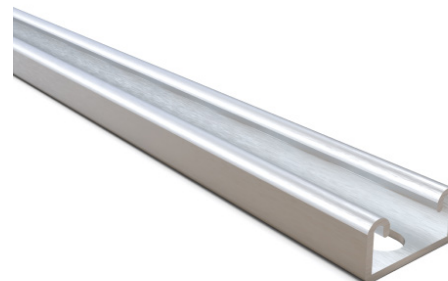
- Proudly Made in the USA
- Effective Properties incorporate
- Strength increase from Cold Forming
- Safety Factor for Beams is 1.67
- Safety Factor for Columns is 1.80

MATERIAL

Steel A1003 Grade 50

CERTIFICATION

AISI S100-2016



AMMO#	PHYSICAL PROPERTIES								
	SIZE (ft)	WEB DEPTH (in)	FLANGE (in)	RETURN (in)	AREA (in ²)	WEIGHT (plf)	GAUGE	PKG	UPC
USA-ARSTSL-13/16-14-10FT-PG	10	1.625	13/16	0.375	0.287	0.91344	14	50	837654129487
USA-ARSTSL-13/16-14-20FT-PG	20	1.625	13/16	0.375	0.287	0.91344	14	50	837654129524

STRUT



400 MARTIN LUTHER KING JR WAY, BRIDGETON, NJ 08302
 PHONE : (718).338.1851 FAX : (718).228.1851
 orders@ammoelectric.com

www.ammoelectric.com



CATEGORY
**STRUT &
 THREADED ROD**
 AMMO ITEM #
 USA-ARSTSL-13/16-14-PG

Strut Channels

Oval Slotted, Shallow



SPAN (in)	MAX ALLOW UNIFORM - FULLY BRACED (plf)	MAX ALLOW UNIFORM - FULLY BRACED (lbs)	BEAM LOADING				MAX UNIFORM LOAD AT DEFLECTION (plf)			MAX ALLOW MOMENT AT SPAN (lb-ft)
			MAX ALLOW UNIFORM LOAD (plf)	MAX ALLOW UNIFORM LOAD (lbs)	DEFLECTION AT MAX LOAD (in)	L/180	L/240	L/360		
18	518.83	778.24	579.60	869.30	0.10	565.9	424.4	282.9	163	
24	291.84	583.68	320.00	640.00	0.18	238.7	179.0	119.4	160	
36	129.70	389.12	129.80	389.30	0.37	70.7	53.1	35.4	146	
48	72.96	291.84	67.50	270.00	0.60	29.8	22.4	14.9	135	
60	46.69	233.47	40.32	201.66	0.88	15.3	11.5	7.6	126	
72	32.43	194.56	26.44	158.70	1.20	8.8	6.6	4.4	119	
84	23.82	166.77	18.44	129.10	1.55	5.6	4.2	2.8	113	
96	18.24	145.92	13.30	106.00	1.89	3.7	2.8	1.9	106	
108	14.41	129.71	10.00	89.80	2.28	2.6	2.0	1.3	101	
120	11.67	116.74	7.07	76.80	2.68	1.9	1.4	1.0	96	

SPAN (in)	COLUMN LOADING			
	MAX COLUMN LOAD AT CENTER OF GRAVITY (lb)			
	K= 0.65	K= 0.80	K= 1.0	K= 1.2
18	7.013	6.261	5.243	4.283
24	5.920	4.914	3.698	2.730
36	3.840	2.730	1.888	1.401
48	2.389	1.699	1.179	871
60	1.656	1.179	KL/r>200	KL/r>200
72	1.229	871	KL/r>200	KL/r>200
84	952	KL/r>200	KL/r>200	KL/r>200
96	KL/r>200	KL/r>200	KL/r>200	KL/r>200
108	KL/r>200	KL/r>200	KL/r>200	KL/r>200
120	KL/r>200	KL/r>200	KL/r>200	KL/r>200
144	KL/r>200	KL/r>200	KL/r>200	KL/r>200

STRUT



400 MARTIN LUTHER KING JR WAY, BRIDGETON, NJ 08302
 PHONE : (718).338.1851 FAX : (718).228.1851
 orders@ammoelectric.com

www.ammoelectric.com