



CATEGORY

NEC (Nipples, Elbows & Couplings)

AMMO ITEM #

ARSRRE

Company: _____
 Job: _____ #Item: _____
 Notes: _____

Special Radio Rigid Elbow



APPLICATION

Used to connect Rigid or IMC Conduit together to allow for bends

FEATURES

- Hot-dip galvanized for excellent corrosion resistance
- High strength ductile steel for long life and easy bending
- Smooth, continuous raceways for fast wire-pulling
- Kwik-Release End Cap to protect threads
- Available in trade sizes 1/2" (16 mm) - 6" (155 mm)
- Large Radius 90° Galvanized Rigid Steel Conduit Elbows
- Fits IMC and GRC Conduits, Couplings and Nipples

MATERIAL

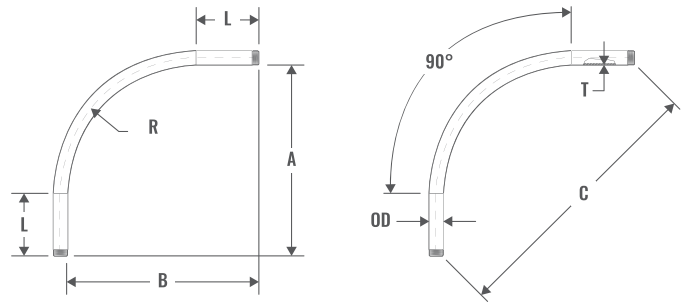
Steel

FINISH

Hot dip galvanized

CERTIFICATION

- UL 6
- ANSI C80.1



AMMO#	DIA	A (in)	B (in)	C (in)	OD (in)	THICKNESS T (in)	STRAIGHT LENGTH L (in)	RADIUS R (in)	WEIGHT (g)	PKG	UPC
ARSRRE-29024	2"	33.8	33.8	47.9	2.375	0.146	11	24		100	837654126479
ARSRRE-29036	2"	45.8	45.8	64.9	2.375	0.146	11	36		50	837654126486

NEC (Nipples, Elbows & Couplings)



400 MARTIN LUTHER KING JR WAY, BRIDGETON, NJ 08302
 PHONE : (718).338.1851 FAX : (718).228.1851
 orders@ammoelectric.com

www.ammoelectric.com