



CATEGORY

WIRING  
DEVICES

AMMO ITEM #

303P4WSF

Company: \_\_\_\_\_

Job: \_\_\_\_\_ #Item: \_\_\_\_\_

Notes: \_\_\_\_\_

# Industrial Receptacle



## APPLICATIONS

- New or renovated single- and multi-family housing, schools, libraries, childcare and healthcare facilities
- Guest rooms and guest suites

## FEATURES

- Made of durable thermoplastic
- Heavy-gauge, double-wipe copper alloy contacts
- Easy-to-wire terminals accept up to No. 4 AWG conductors
- Terminals marked for easy identification and fast wiring
- All mounting hardware included
- Flush-mount devices fit single or two-gang outlet boxes
- Limited Two-Year Warranty

## MATERIAL

- Face Material: \_\_\_\_\_ Thermoplastic PA
- Body Material: \_\_\_\_\_ Thermoplastic PA

## MATERIAL CHARACTERISTIC

- Environmental: Flammability, UL-94, Rated V0
- Operating Temperature: -31°F to 149°F (-35° C to 65°C)

## SPECIFICATIONS

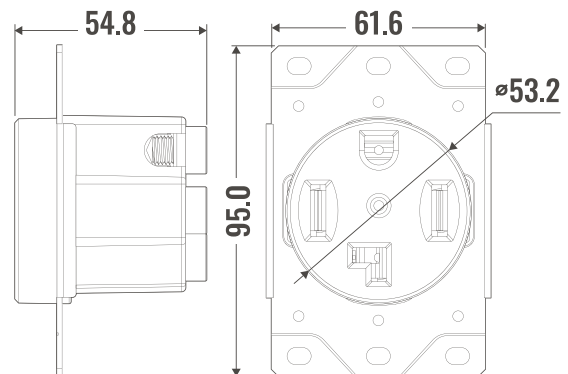
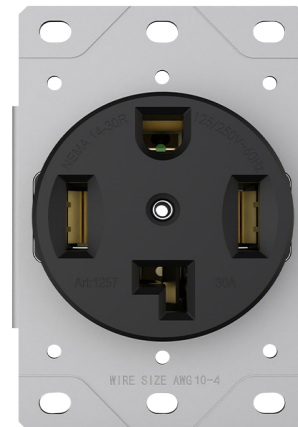
- Color: \_\_\_\_\_ Black
- Rating: \_\_\_\_\_ 30A, 125/250VAC
- NEMA: \_\_\_\_\_ 14-30R
- Pole: \_\_\_\_\_ 3
- Wire: \_\_\_\_\_ 4
- Termination: \_\_\_\_\_ Back
- Dielectric Voltage: \_\_\_\_\_ Withstands 2000V per UL498

## CERTIFICATION

- UL 498
- RoHS

## PACKAGING

- Weight: \_\_\_\_\_
- Inner: \_\_\_\_\_ 10
- Master: \_\_\_\_\_ 100
- UPC Number: \_\_\_\_\_ 837654125847



MEASURES in mm

## WIRING & DEVICES



1000 COMMERCE CENTER DR ELKTON MD 21921  
 PHONE : (718).338.1851 FAX : (718).228.1851  
 orders@ammoelectric.com

www.ammoelectric.com